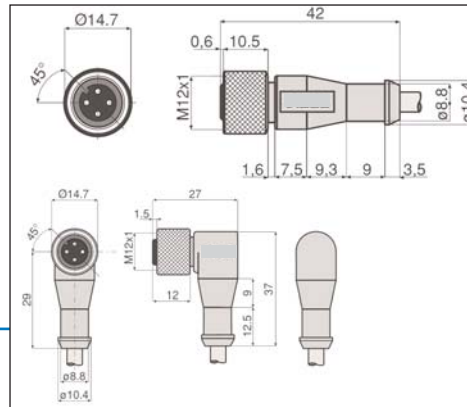


## Ø M12 4 Pin PVC Cable Straight (A1) / 90 (C1)



applications on: K1-K5 connectors



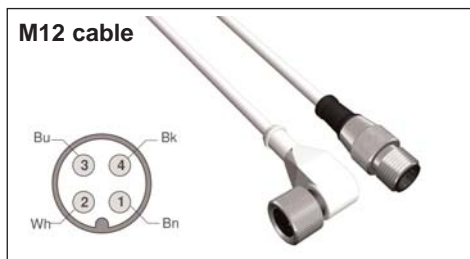
### Description / Installation

Standard M12 4 pin connector. PVC (polyvinyl chloride) for industrial applications. 2-5-7-10 meter lengths. IP67 degree protection.

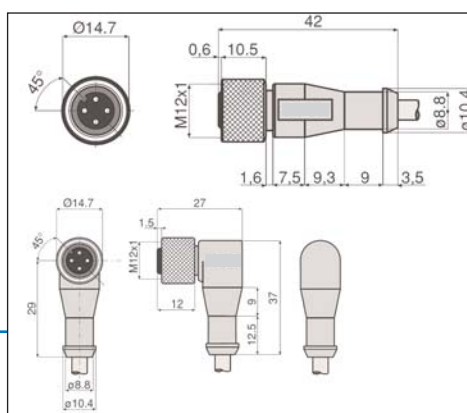
### Parts Matrix:

- INC12MZB020A1 (C1)
- INC12MZB050A1 (C1)
- INC12MZB070A1 (C1)
- INC12MZB100A1 (C1)

## Ø M12 4 Pin PUR Cable Straight (A5) / 90 (C5)



applications on: K1-K5 connectors



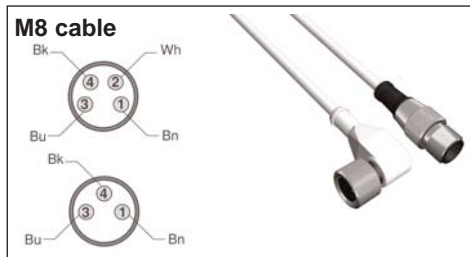
### Description / Installation

Tough grade M12 4 pin connector. PUR (polyurethane) jacket for harsh duty - oily or sunlight/UV industrial applications. 2-5-7-10 meter lengths. IP67 degree protection.

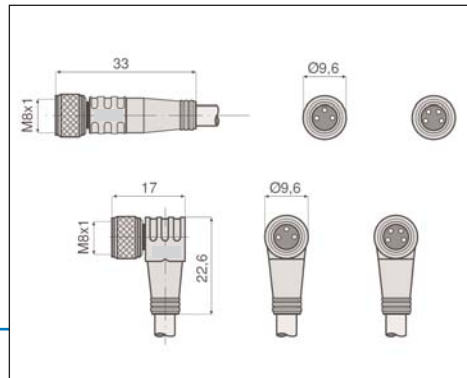
### Parts Matrix:

- INC12MZB020A5 (C5)
- INC12MZB050A5 (C5)
- INC12MZB070A5 (C5)
- INC12MZB100A5 (C5)

## Ø M8 4 (B) & 3 (A) Pin PVC Cable Straight (A1) / 90 (C1)



applications on: E1-E5 connectors



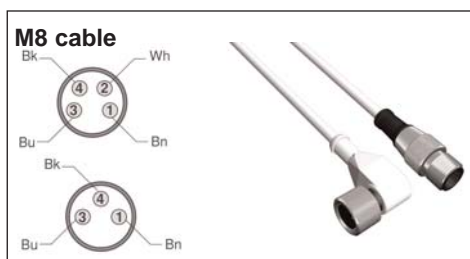
### Description / Installation

Standard M8 4 & 3 pin connector. PVC (polyvinyl chloride) for industrial applications. 2-5-7-10 meter lengths. IP67 degree protection.

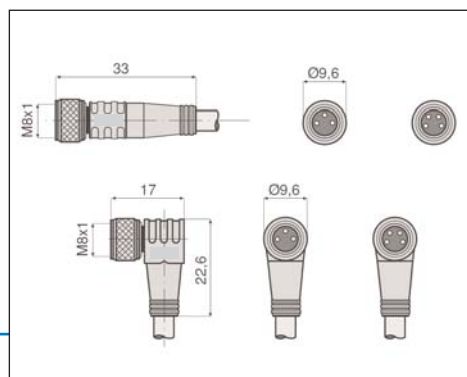
### Parts Matrix:

- INC08ZB020A1 (C1)-INC08ZA020A1 (C1)
- INC08ZB050A1 (C1)-INC08ZA020A1 (C1)
- INC08ZB070A1 (C1)-INC08ZA020A1 (C1)
- INC08ZB100A1 (C1)-INC08ZA020A1 (C1)

## Ø M8 4 (B) & 3 (A) Pin PUR Cable Straight (A5) / 90 (C5)



applications on: E1-E5 connectors



### Description / Installation

Tough grade M8 4 & 3 pin connector. PUR (polyurethane) for harsh duty - oily or sunlight/UV industrial applications. 2-5-7-10 meter lengths. IP67 degree protection.

### Parts Matrix:

- INC08ZB020A5 (C5)-INC08ZA020A5 (C5)
- INC08ZB050A5 (C5)-INC08ZB020A5 (C5)
- INC08ZB070A5 (C5)-INC08ZB020A5 (C5)
- INC08ZB100A5 (C5)-INC08ZB020A5 (C5)